
JD Compatible 4G LTE NTRIP Modem – Mk4



Global Solution

The Mk4 CloudBase JD compatible NTRIP modem enables mobile RTK connection via 2G, 3G and 4G LTE cellular networks. The Mk4 features a WiFi web server enabling simple wireless configuration via a smart phone web browser. Configuration can equally be made through any John Deere Gen3, Gen4 or Gen 5 terminal. This modem has the ability to connect to all cellular bands in all countries whilst its sleek design hides away all antennae to avoid damage when manoeuvring in tight spaces.

Simple Installation

Installation is quick and simple to any RTK enabled JD receiver using the 4-way adaptor harness and securing with the two screws to the rear of the receiver. Once fitted, the IP67 rated enclosure protects the valuable electronics, even in the most extreme conditions.

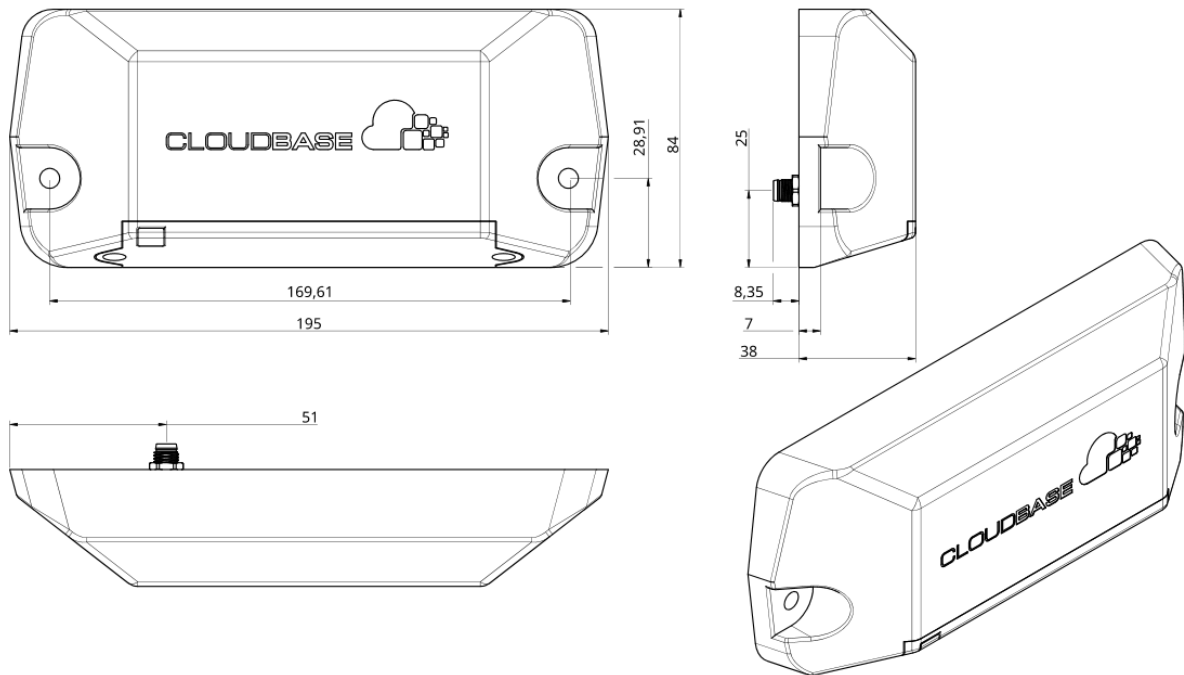
Optimised Performance

Connection and authentication speeds have been optimised, making the Mk 4 the fastest connecting NTRIP modem available, vastly outperforming OEM solutions, often connecting within 30 seconds, ensuring a fixed RTK solution, even in challenging environments

Key Features

- JD Integrated solution, with configuration from the cab display
- WiFi Setup, if required
- Rugged IP67 rated housing
- Global connectivity
- Internal antennae to avoid damage in tight areas.
- 2FF SIM slot

JD Compatible 4G LTE NTRIP Modem – Mk4



Frequency Bands

LTE-FDD: B1/ 2/ 3/ 4/ 5/ 7/ 8/ 12/ 13/ 18/ 19/ 20/ 25/ 26/ 28

LTE-TDD: B38/ 39/ 40/ 41

WCDMA: B1/ 2/ 4/ 5/ 6/ 8/ 19

GSM: B2/ 3/ 5/ 8

Interfaces

Communication Port: 1 x Serial RS232

Serial Port Baud: 9600 / 19200 / 38400 / 115200 bps

Interface connector: 4 pin M8

SIM Form Factor: 2FF

Power

Operational Voltage: 9-30V

Power Consumption: 40mA Idle

NTRIP Specification

NTRIP Version: V2

Antenna

Dual internal antenna, Main and Diversity

Environmental

Operating Temperature: -40°C to +60°C

Waterproof rating: IP67

Physical

Dimensions: 195mm x 84mm x 38mm

Weight:

Interface Pin Definition



Pin 1: RS232 TX

Pin 2: RS232 RX

Pin 3: Power +

Pin 4: Power -

CloudBase Positioning Ltd

2 Henfield House
Clayton-Le-Moors
Lancashire
UK

CloudBase-RTK.net

sales@cloudbase-rtk.net